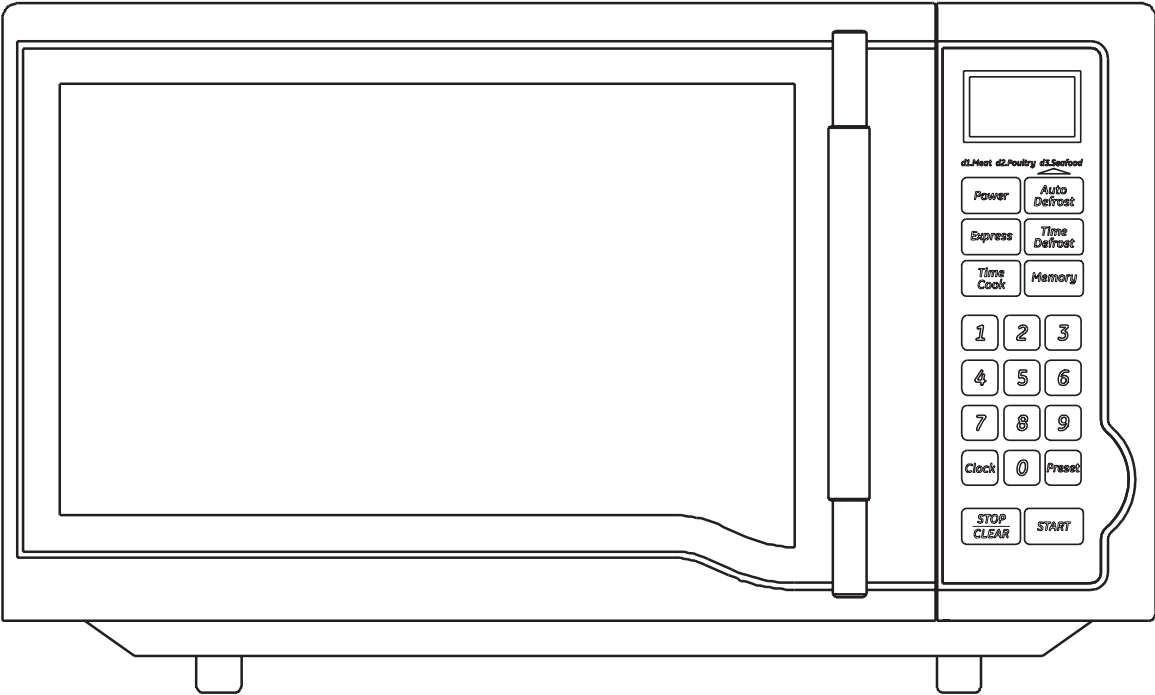


GE Industrial
Consumer Appliances







GE Microwave Oven JEI2340WPSL

Use & Care Manual



GE imagination at work

Contents

| | | | |
|---|--|--|---|
|  | SAFETY INFORMATION 2 Precautions to Avoid Possible Exposure to Excessive Microwave Energy 2 Radio Interference 2 Important Safety Instructions 2 Microwave Cooking Principles 4 Utensils Guide 4 |  | HOW TO SET THE OVEN CONTROLS 7 |
|  | INSTALLATION 5 Grounding Instructions 5 |  | CLEANING AND CARE 11 |
|  | NAME AND FUNCTION OF PARTS 6 Part Names 6 Control Panel 6 |  | TROUBLE SHOOTING 12 Specifications* 12 Before You Call for Service 12 |

To get the full benefit from your new microwave oven, please read this Use & Care Manual carefully before operating the unit.

Thank you for choosing a GE microwave oven. Please keep this manual for future consultation.

Please read these instructions carefully before installing and operating the oven.

Record in the space below the SERIAL NO. found on the nameplate on your oven and retain this information for future reference.

SERIAL NO.



GE Microwave Oven

JEI2340WPSL

Pub. No. L09035L



Safety Information

PRECAUTIONS TO AVOID POSSIBLE EXPOSURE TO EXCESSIVE MICROWAVE ENERGY

1. Do not attempt to operate this oven with the door open since open door operation can result in harmful exposure to microwave energy. It is important not to defeat or tamper with the safety interlocks.
2. Do not place any object between the oven front face and the door or allow soil or cleaner residue to accumulate on sealing surfaces.
3. Do not operate the oven if it is damaged. It is particularly important that the oven door close properly and that there is no damage to the
 - a. Door (bent),
 - b. Hinges and latches (broken or loosened),
 - c. Door seals and sealing surfaces.
4. The oven should not be adjusted or repaired by anyone except properly qualified service personnel.

RADIO INTERFERENCE

Operation of the microwave oven can cause interference to your radio, TV, or similar equipment. When there is interference, it may be reduced or eliminated by taking the following measures:

1. Clean door and sealing surface of the oven.
2. Reorient the receiving antenna of radio or television.
3. Relocate the microwave oven with respect to the receiver.
4. Move the microwave oven away from the receiver.
5. Plug the microwave oven into a different outlet so that microwave oven and receiver are on different branch circuits.

IMPORTANT SAFETY INSTRUCTIONS

When using electrical appliance basic safety precautions should be followed, including the following:

WARNING: To reduce the risk of burns, electric shock, fire, injury to persons or exposure to excessive microwave energy:

1. Read all instructions before using the appliance.
2. Use this appliance only for its intended use as described in this manual. Do not use corrosive chemicals or vapors in this appliance. This type of oven is specifically designed to heat, cook or dry food. It is not designed for industrial or laboratory use.
3. Do not operate the oven when empty.
4. Do not operate this appliance if it has a damaged cord or plug, if it is not working properly or if it has been damaged or dropped. If the supply cord is damaged, it must be replaced by the manufacturer or its service agent or a similarly qualified person in order to avoid a hazard.
5. **WARNING:** Only allow children to use the oven without supervision when adequate instructions have been given so that the child is able to use the oven in a safe way and understands the hazards of improper use.

Safety Information



6. To reduce the risk of fire in the oven cavity:
 - a. When heating food in plastic or paper container, keep an eye on the oven due to the possibility of ignition.
 - b. Remove wire twist-ties from paper or plastic bags before placing bag in oven.
 - c. If smoke is observed, switch off or unplug the appliance and keep the door closed in order to stifle any flames.
 - d. Do not use the cavity for storage purposes. Do not leave paper products, cooking utensils or food in the cavity when not in use.
7. **WARNING:** Liquid or other food must not be heated in sealed containers since they are liable to explode.
8. Microwave heating of beverage can result in delayed eruptive boiling, therefore care has to be taken when handle the container.
9. Do not fry food in the oven. Hot oil can damage oven parts and utensils and even result in skin burns.
10. Eggs in their shell and whole hard-boiled eggs should not be heated in microwave ovens since they may explode even after microwave heating has ended.
11. Pierce foods with heavy skins such as potatoes, whole squashes, apples and chestnuts before cooking.
12. The contents of feeding bottles and baby jars should be stirred or shaken and the temperature should be checked before serving in order to avoid burns.
13. Cooking utensils may become hot because of heat transferred from the heated food. Potholders may be needed to handle the utensil.
14. Utensils should be checked to ensure that they are suitable for use in microwave oven.
Utensil Test: Place the empty utensil in the oven, microwave at high power for 60 seconds. A utensil which becomes very hot should not be used.
15. **WARNING:** It is hazardous for anyone other than a trained person to carry out any service or repair operation which involves the removal of any cover which gives protection against exposure to microwave energy.
16. This product is a Group 2 Class B ISM equipment. The definition of Group 2 which contains all ISM (Industrial, Scientific and Medical) equipment in which radio-frequency energy is intentionally generated and/or used in the form of electromagnetic radiation for the treatment of material, and spark erosion equipment. For Class B equipment is equipment suitable for use in domestic establishments and in establishments directly connected to a low voltage power supply network which supplies buildings used for domestic purpose.
17. This appliance is not intended for use by persons (including children) with reduced physical, sensory or mental capabilities, or lack of experience and knowledge, unless they have been given supervision or instruction concerning use of the appliance by a person responsible for their safety.
18. Children should be supervised to ensure that they do not play with the appliance.
19. If the supply cord is damaged, it must be replaced by a special cord or assembly available from the manufacturer or its service agent.



Safety Information

MICROWAVE COOKING PRINCIPLES

1. Arrange food carefully. Place thickest areas towards outside of dish.
2. Watch cooking time. Cook for the shortest amount of time indicated and add more as needed. Food severely overcooked can smoke or ignite.
3. Cover foods while cooking. Covers prevent spattering and help foods to cook evenly.
4. Turn foods over once during microwaving to speed cooking of such foods as chicken and hamburgers. Large items like roasts must be turned over at least once.
5. Rearrange foods such as meatballs halfway through cooking both from top to bottom and from the center of the dish to the outside.

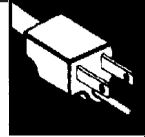
UTENSILS GUIDE

1. The ideal material for a microwave utensil is transparent to microwave, it allows energy to pass through the container and heat the food.
2. Microwave cannot penetrate metal, so metal utensils or dishes with metallic trim should not be used.
3. Do not use recycled paper products when microwave cooking, as they may contain small metal fragments which may cause sparks and/or fires.
4. Round /oval dishes rather than square/oblong ones are recommend, as food in corners tends to overcook.
5. Narrow strips of aluminum foil may be used to prevent overcooking of exposed areas. But be careful don't use too much and keep a distance of 1 inch (2.54cm) between foil and cavity.

The list below is a general guide to help you select the correct utensils.

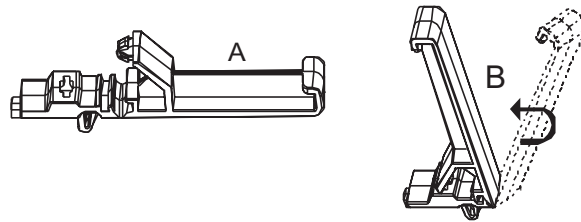
| COOKWARE | MICROWAVE |
|---------------------------------|-----------|
| Heat-Resistant Glass | Yes |
| Non Heat-Resistant Glass | No |
| Heat-Resistant Ceramics | Yes |
| Microwave-Safe Plastic Dish | Yes |
| Kitchen Paper | Yes |
| Metal Tray | No |
| Metal Rack | No |
| Aluminum Foil & Foil Containers | No |

Installation



INSTALLATION

1. Make sure that all the packing materials are removed from the inside of the door.
2. **WARNING:** oven for any damage, such as misaligned or bent door, damaged door seals and sealing surface, broken or loose door hinges and latches and dents inside the cavity or on the door. If there is any damage, do not operate the oven and contact qualified service personnel.
3. This microwave oven must be placed on a flat, stable surface to hold its weight and the heaviest food likely to be cooked in the oven.
4. Do not place the oven where heat, moisture, or high humidity are generated, or near combustible materials.
5. For correct operation, the oven must have sufficient airflow. Allow 20cm of space above the oven, 10cm at back and 5cm at both sides. Do not cover or block any openings on the appliance. Do not remove feet.
6. Do not operate the oven without glass tray, roller support, and shaft in their proper positions.
7. Make sure that the power supply cord is undamaged and does not run under the oven or over any hot or sharp surface.
8. The socket must be readily accessible so that it can be easily unplugged in an emergency.
9. Do not use the oven outdoors.
10. Fold the clamp in direction of arrow (from A to B) to improve the cooling effect before the oven start.



GROUNDING INSTRUCTIONS

This appliance must be grounded. This oven is equipped with a cord having a grounding wire with a grounding plug. It must be plugged into a wall receptacle that is properly installed and grounded. In the event of an electrical short circuit, grounding reduces risk of electric shock by providing an escape wire for the electric current. It is recommended that a separate circuit serving only the oven be provided. Using a high voltage is dangerous and may result in a fire or other accident causing oven damage.

WARNING: Improper use of the grounding plug can result in a risk of electric shock.

Note

1. If you have any questions about the grounding or electrical instructions, consult a qualified electrician or service person.
2. Neither the manufacturer nor the dealer can accept any liability for damage to the oven or personal injury resulting from failure to observe the electrical connection procedures.

The wires in this cable main are colored in accordance with the following code:

Green and Yellow = EARTH

Blue = NEUTRAL

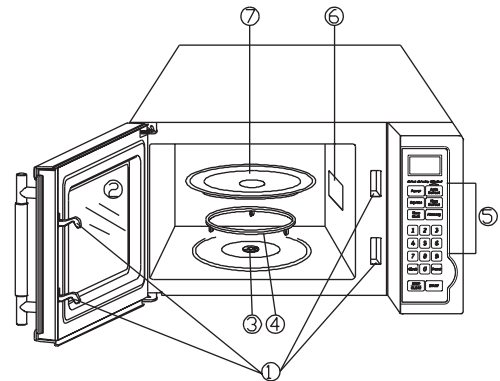
Brown = LIVE



Name and Function of Parts

PART NAMES

1. Door Safety Lock System
2. Oven Window
3. Shaft
4. Roller Ring
5. Control Panel
6. Oven Air Vent
7. Glass Tray



CONTROL PANEL

- **MENU ACTION SCREEN**

Cooking time, power, action indicators, and clock time are displayed.

- **NUMBER PADS**

Touch to enter clock time, set power level, and indicate food weight.

- **POWER**

Press this button once and then use the number button to set a cooking power level other than full power.

- **TIME COOK**

Press the button once and then use the number buttons to set cooking time.

- **AUTO DEFROST**

Automatically sets proper defrosting cycle once you have entered the weight of the food to be thawed.

- **TIME DEFROST**

Customize defrosting time for food outside the categories or exceeding the max. allowable weight by weight defrost.

- **EXPRESS**

To start the oven quickly at full microwave power, you can press this button to choose cooking time.

- **PRESET**

Delay start control allows you to put food into the oven and program it to start cooking at a preset time.

- **MEMORY**

Use this button to set a multistage cooking program.

- **CLOCK**

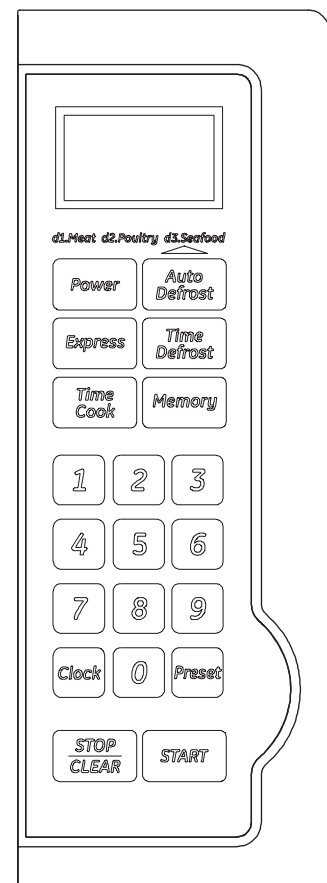
Use to set the time of day.

- **STOP/CLEAR**

Touch to clear current setting or reset the system.

- **START**

Touch to start a cooking or defrosting program.



How to Set the Oven Controls



Each time a button is touched, a beep will sound to acknowledge the touch.

SETTING THE CLOCK

To enter the oven clock time,

1. Touch CLOCK button.
2. Touch STOP/CLEAR button.
3. Use the number pads to enter time.
4. Touch CLOCK button again to confirm.

This is a 12-hour clock. Default setting is 1:01 when the oven is plugged in.

You can check the clock time when cooking is in progress by touching the CLOCK button.

SETTING COOKING TIME AND POWER

1. Touch TIME COOK pad.
2. Use the number pads to set a cooking time.
3. If you want to set a power level other than 100% power, touch POWER,
4. Use the number pads to enter the power level. (Please check the following table).
5. Touch START to start cooking.

-----SINGLE DIGITS TO REPRESENT POWER LEVEL-----

| Press Number pad | Power Level |
|------------------|-------------|
| 9 | 90% |
| 8 | 80% |
| 7 | 70% |
| 6 | 60% |
| 5 | 50% |
| 4 | 40% |
| 3 | 30% |
| 2 | 20% |
| 1 | 10% |
| 0 | 0% |



How to Set the Oven Controls

MULTI-STAGE COOKING

Some recipes may require setting a multi-stage program involving defrosting, and different power levels. The following example shows the steps in setting up such a program.

1. Touch STOP/CLEAR pad.
2. Input Time Defrost program.
3. Touch MEMORY button.
4. Input microwave-cooking program.
5. Touch MEMORY button again
6. Input another microwave cooking program with probably lower power level settings.
7. Touch START button.

NOTE

TIME DEFROST and AUTO DEFROST can only be set as the first stage in a multistage cooking program. The respective lights will on to indicate which stage the oven is operating. After cooking, beeps sound until any pad is pressed or the door is opened.

PRE-SET COOKING

You can put food in the oven, and program the oven to start at a later time. Suppose you want to set the oven to start at 2 o'clock.

1. Place food in the oven.
2. Touch PRESET button.
3. Touch number pad to enter time.
4. Set a cooking program.
5. Touch START button.

EXPRESS COOKING

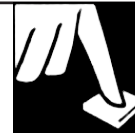
With express cooking, you touch the EXPRESS button to state cooking time and the oven will work at full power level.

| | |
|---------------|------------|
| Touch Once | 15 seconds |
| Touch Twice | 30 seconds |
| Touch 3 Times | 1 minute |
| Touch 4 Times | 2 minutes |

Suppose you want to set the oven to microwave for 1 minute at 100% power level.

1. Touch the EXPRESS button 3 times, "1:00" will appear in the display.
2. Touch START button.

How to Set the Oven Controls



AUTO DEFROST

Automatically sets proper defrosting cycle once you have entered the weight of the food to be thawed. Maximum allowable weight for each category is shown below.

| FOOD CATEGORY | MAXIMUM WEIGHT | DISPLAY |
|---------------|----------------|---------|
| Meat | 2300g | d1 |
| Poultry | 4000g | d2 |
| Seafood | 900g | d3 |

Suppose you want to defrost 600g shrimp.

1. Touch AUTO DEFROST button 3 times. "d3" will appear in the display.
2. Touch number pad 6,0,0.
3. Touch START button.

NOTE

The oven will not start if you happen to enter weight in excess of the maximum recommended.

For food exceeding these maximum weights, use the TIME DEFROST program.

To serve as a reminder, after a cooking or defrosting program the oven beeps every two minutes until the door is opened or the any pad is touched.

During cooking, the oven will beep and pause to remind you to turn food over, and then close the door and press START to resume.

TIME DEFROST

TIME DEFROST lets you customize defrosting time, you can use it to defrost food not covered, or its weight exceeds the max. Allowable by AUTO defrost. The maximum time you can set is 99 minutes and 99 seconds.

Suppose you want to set the oven to TIME DEFROST for 5 minutes and 30 seconds.

1. Touch TIME COOK DEFROST button.
2. Touch number pads 5,3,0.
3. Touch START button.

NOTE:

During cooking, the oven will beep and pause to remind you to turn food over, and then close the door and press START to resume.

SETTING TIMER

To use the timer feature, do the following,

1. Touch TIME COOK button.
2. Use number buttons to input needed time.
3. Touch POWER button.
4. Touch number button 0.
5. Touch START button.

NOTE:

This additional feature is used for timing things done outside the oven. Three beeps will sound at the end of the elapsed time. The oven light and cooling fan will turn on while the time is counting down, but there is no microwave present.



How to Set the Oven Controls

SAFETY LOCK

Use to prevent unsupervised operation of the oven by little children. The CHILD LOCK indicator will show on display screen, and the oven can not be operated while the CHILD LOCK is set.

1. To set the CHILD LOCK: Press and hold the STOP/CLEAR button for 3 seconds, a beep sounds and LOCK indicator lights.
2. To cancel the CHILD LOCK: Press and hold the STOP/CLEAR button for 3 seconds until lock indicator on display turns off.

TO STOP THE OVEN DURING OPERATION

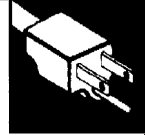
Open the door.

You can restart the oven by closing the door and touching START button.

NOTE:

Oven stops operating when door is opened.

Cleaning and Care



1. Turn off the oven and remove the power plug from the wall socket before cleaning.
2. Keep the inside of the oven clean. When food splatters or spilled liquids adhere to oven walls, wipe with a damp cloth. Mild detergent may be used if the oven gets very dirty. Avoid the use of spray and other harsh cleaners as they may stain, streak or dull the door surface.
3. The outside surfaces should be cleaned with a damp cloth. To prevent damage to the operating parts inside the oven, water should not be allowed to seep into the ventilation openings.
4. Wipe the door and window on both sides, the door seals and adjacent parts frequently with a damp cloth to remove any spills or splatters. Do not use abrasive cleaner.
5. Do not allow the control panel to become wet. Clean with a soft, damp cloth. When cleaning the control panel, leave oven door open to prevent oven from accidentally turning on.
6. If steam accumulates inside or around the outside of the oven door, wipe with a soft cloth. This may occur when the microwave oven is operated under high humidity condition. And it is normal.
7. It is occasionally necessary to remove the glass tray for cleaning. Wash the tray in warm sudsy water or in a dishwasher.
8. The roller ring and oven floor should be cleaned regularly to avoid excessive noise. Simply wipe the bottom surface of the oven with mild detergent. The roller ring may be washed in mild sudsy water or dishwasher. When removing the roller ring from cavity floor for cleaning, be sure to replace in the proper position.
9. Remove odors from your oven by combining a cup of water with the juice and skin of one lemon in a deep microwaveable bowl, microwave for 5 minutes. Wipe thoroughly and dry with a soft cloth.
10. When it becomes necessary to replace the oven light, please consult a dealer to have it replaced.
11. The oven should be cleaned regularly and any food deposits removed. Failure to maintain the oven in a clean condition could lead to deterioration of the surface that could adversely affect the life of the appliance and possibly result in a hazardous situation.
12. Please do not dispose this appliance into the domestic rubbish bin, it should be disposed to the particular disposal center provided by the municipalities.



Trouble Shooting

SPECIFICATIONS*

| | |
|-------------------------------|-----------------------------|
| Power Consumption | 230V/60Hz, 1500W(Microwave) |
| Rated microwave power output: | 900W |
| Operation Frequency: | 2450MHz |
| Outside Dimensions: | 281mm(H)x483mm(W)x394mm(D) |
| Oven Cavity Dimensions: | 220mm(H)x340mm(W)x320mm(D) |
| Oven Capacity: | 23Litres |
| Cooking Uniformity: | Turntable System |
| Net Weight: | Approx. 13.6kg |

BEFORE YOU CALL FOR SERVICE

If the oven fails to operate:

1. Check to ensure that the oven is plugged in securely. If it is not, remove the plug from the outlet, wait 10 seconds, and plug it in again securely.
2. Check for a blown circuit fuse or a tripped main circuit breaker. If these seem to be operating properly, test the outlet with another appliance.
3. Check to ensure that the control panel is programmed correctly and the timer is set.
4. Check to ensure that the door is securely closed engaging the door safety lock system. Otherwise, the microwave energy will not flow into the oven.

IF NONE OF THE ABOVE RECTIFY THE SITUATION, THEN CONTACT A QUALIFIED TECHNICIAN. DO NOT TRY TO ADJUST OR REPAIR THE OVEN YOURSELF.

